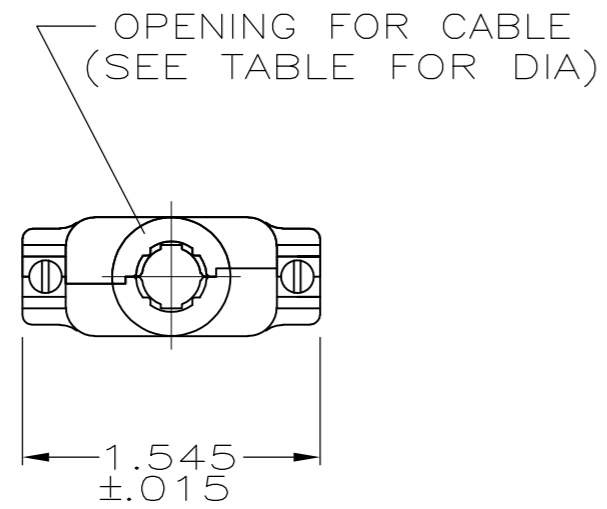
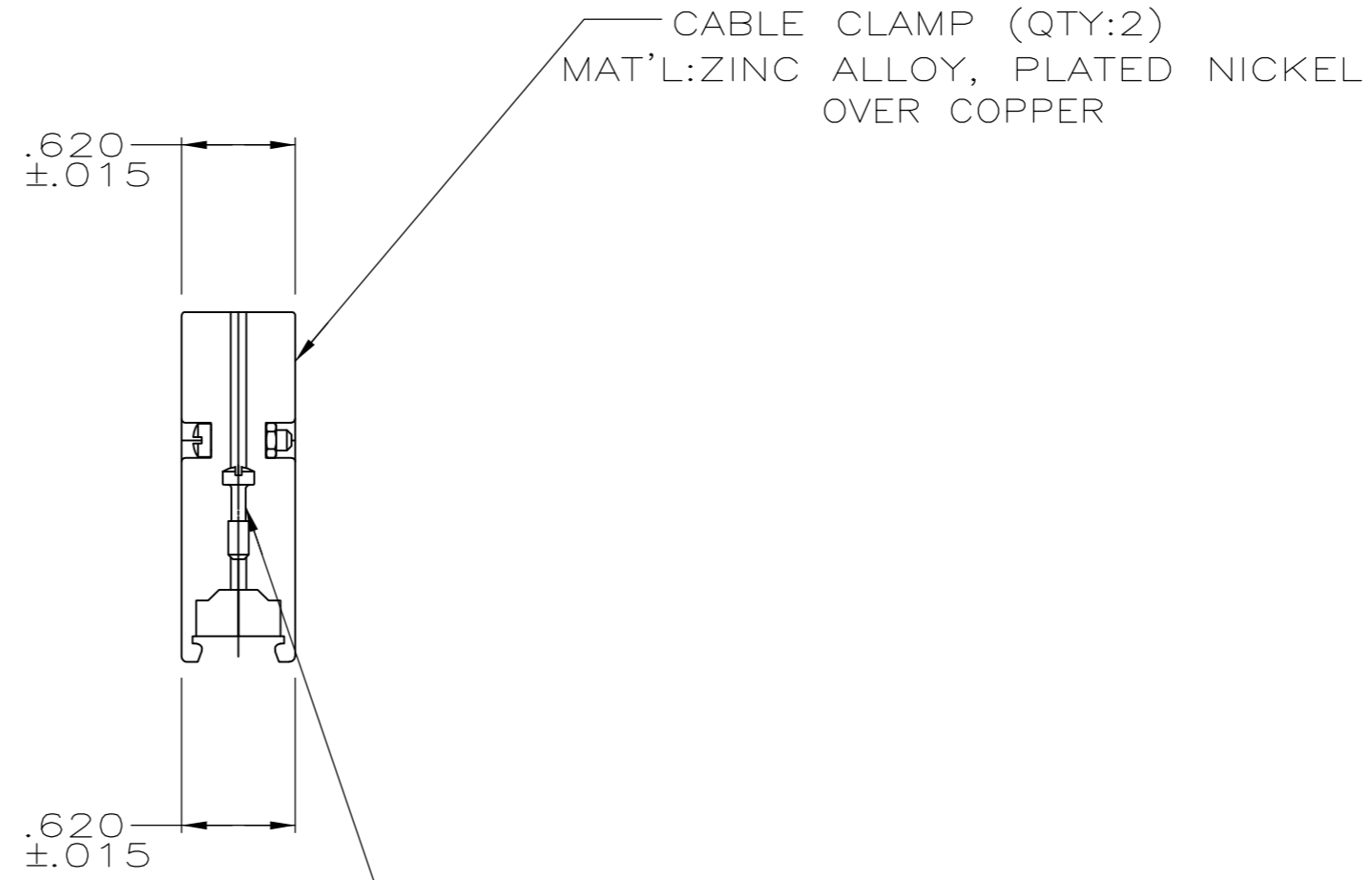
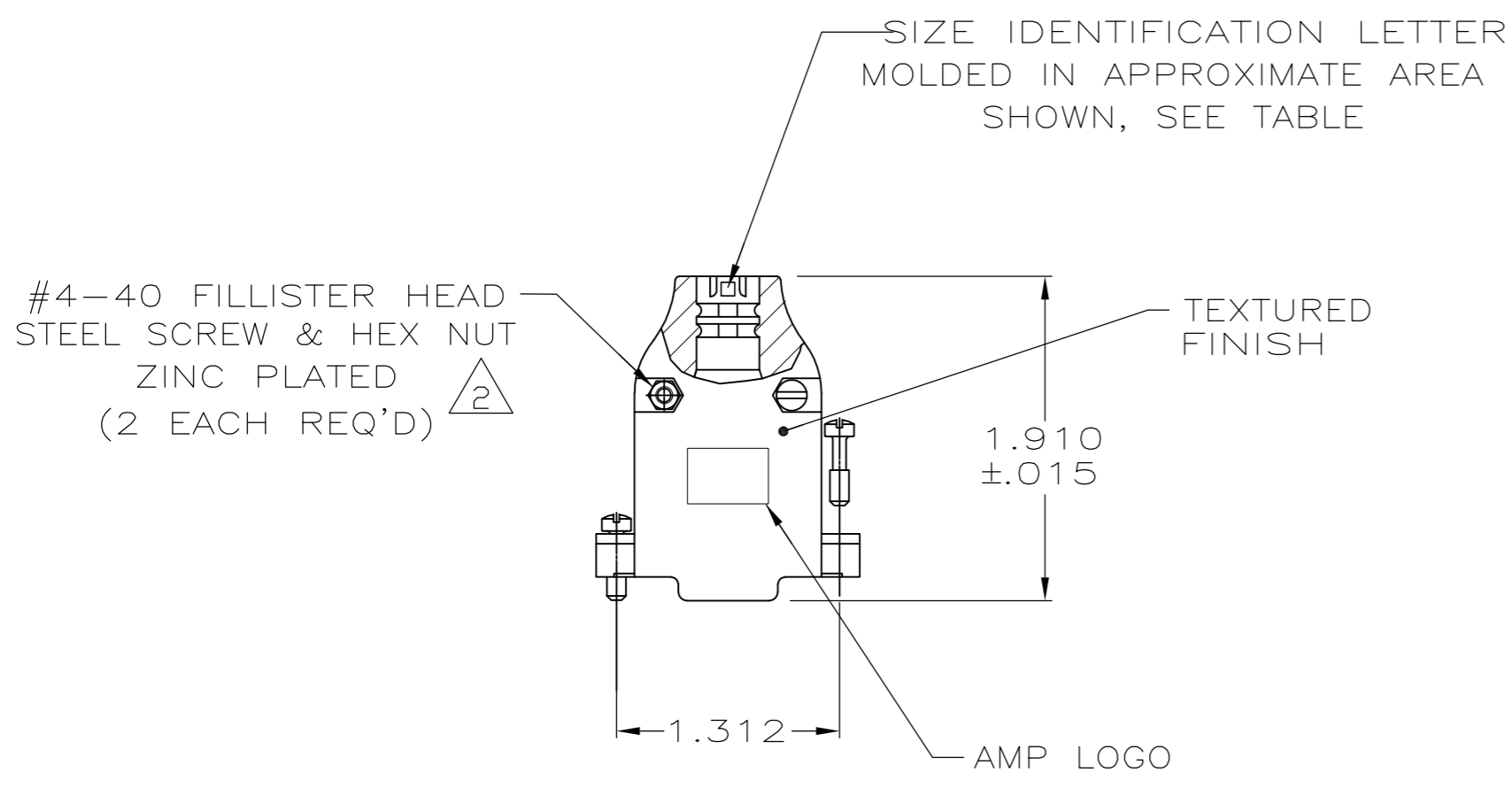


THIS DRAWING IS UNPUBLISHED. RELEASED FOR PUBLICATION
 © COPYRIGHT - By - ALL RIGHTS RESERVED.

LOC	DIST	REVISIONS					
GP	00	P	LTR	DESCRIPTION	DATE	DWN	APVD
		P		REVISED PER ECO-11-005033	23MAR11	RK	HMR



- 1. PARTS PACKAGED UNASSEMBLED.
- 2. ZINC PLATED .000200-.000400 THICK, CLEAR CHROMATE COATING.



K	.430	1-5745172-3
B	.225	5745172-3
E	.300	5745172-2
H	.375	5745172-1
NECK IDENT	CABLE DIA	PART NO

THIS DRAWING IS A CONTROLLED DOCUMENT.		DWN B. MCMASTER 02AUG05	TE TE Connectivity	
DIMENSIONS: INCHES		CHK J. GERACE 02AUG05		
TOLERANCES UNLESS OTHERWISE SPECIFIED:		APVD M. WALMSLEY 02AUG05	NAME CABLE CLAMP KIT, UNASSEMBLED, SIZE 2, 15 POSITION, 180 DEGREES, AMPLIMITE	
0 PLC ± - 1 PLC ± - 2 PLC ± - 3 PLC ± .005 4 PLC ± - ANGLES ± -		PRODUCT SPEC APPLICATION SPEC	RESTRICTED TO	
MATERIAL SEE CALLOUTS		FINISH SEE CALLOUTS	WEIGHT -	SIZE A2
		CUSTOMER DRAWING	SCALE 1:1	SHEET 1 of 1
			DRAWING NO 5745172	REV P